

# GRIP-O-GIDE™

## Deep Channel Card guides for 1/16<sup>th</sup>, 3/32<sup>nd</sup> and 1/8<sup>th</sup> PCBs

- Deep Channel (0.200") for severe duty, high shock and vibration environments
- Precision Molded for rigidity, strength and heat resistance from 94V-O UL rated materials
- Stainless Steel Conductive Inserts available for all sizes (see page 13)
- Three channels widths for 1/16<sup>th</sup>, 3/32<sup>nd</sup> and 1/8<sup>th</sup> PCBs
- Available in a Static Dissipative 94V-O rated material



Rigid, strong and economical, GRIP-O-GIDEs provide the installed reliability that your most demanding products require. Retention is firm and there are no special tools or fixtures required for installation. Static dissipative materials are available by special order with surface resistivity of 105-109.

### Mounting Information:

Snap-in metal plates: 0.047" - 0.090" (1.2mm - 2.3mm) thick  
 Hole Size: Front - 0.187" (4.7mm) diameter +0.003" (0.08mm) - 0.001" (0.03mm), 3/16th drill.  
 Rear & Center - 0.250" (6.35mm) x 0.182" (4.62mm) + 0.003" (0.08mm), - 0.001" (0.03mm)

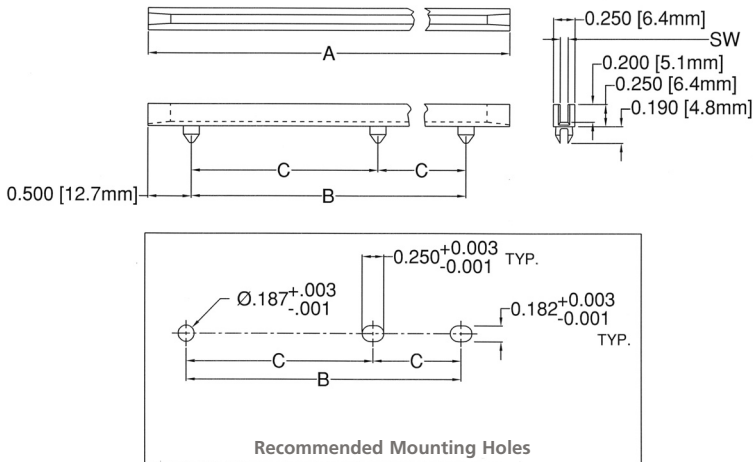
### Material Specifications:

Handle: UL Rated 94V-O, Black, 10% Glass Filled 6 Nylon per ASTM D4066 PA210G10  
 Oxygen Index: +28%  
 UL File #E84658

### Application Notes:

Slotting or elongating of the second and third mounting hole is recommended to allow for length variations and to provide for easier assembly.

Prolonged pre-assembly exposure to high humidity can cause molded Nylon components to "grow" out of tolerance. Storage in a cool dry place is recommended. Open sealed vapor barrier bags at the time of production to assure optimum shelf life.



### Grip-O-Gide 2-1/2" thru 8" Lengths

Part No.	A ±.062 (1.6)	B ±.032 (.81)	C ±.015 (.38)	S.W. ±.005 (.13)	PCB Thickness	DESC DWG NO.
DC-250	2.5 (63.5)	1.5 (38.1)	--	--	1/16 (1.6)	84101-01
DC-450	4.5 (114.3)	3.5 (88.9)	--	--	1/16 (1.6)	84101-02
DC-600	6.0 (152.4)	5.0 (127.0)	--	.080 (2.0)	1/16 (1.6)	84101-03
DC-800	8.0 (203.2)	7.0 (177.8)	3.5 (88.9)	--	1/16 (1.6)	84101-04
DC-450-102	4.5 (114.3)	3.5 (88.9)	--	--	--	--
DC-600-102	6.0 (152.4)	5.0 (127.0)	--	.102 (2.6)	3/32 (2.4)	--
DC-800-102	8.0 (203.2)	7.0 (177.8)	3.5 (88.9)	--	3/32 (2.4)	--
DC-450-130	4.5 (114.3)	3.5 (88.9)	--	--	1/8 (3.2)	84101-22
DC-600-130	6.0 (152.4)	5.0 (127.0)	--	.132 (3.4)	1/8 (3.2)	84101-23
DC-800-130	8.0 (203.2)	7.0 (177.8)	3.5 (88.9)	--	1/8 (3.2)	84101-24